

High-Precision Flowmeter (for Sensitive Measurements)

MODEL RK1400 SERIES

This top-grade high precision, float type area flowmeter is a fruit of KOFLOC's challenge to boost the general perception currently conceived by people of flowmeter of being a "mere yardstick" into a new conception that a flowmeter is a "precision instrument." This flowmeter particularly features its uniquely precision-formed glass tube and ultra-precision ball float that ensures accurate measurements of minute flows to medium flows.

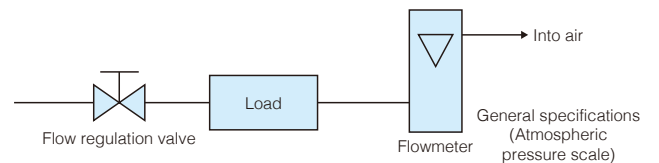
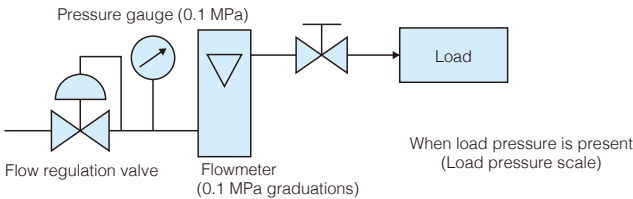


- Capable of measuring ultra-minute flows
- High precision measurement of flows
- Wide variations

Applications

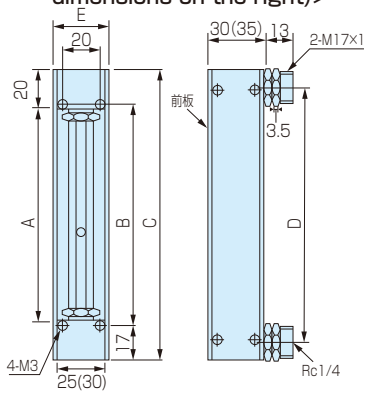
- For integration into your equipment panel
- For flow inspections at laboratory
- For semiconductor manufacturing equipment
- For biotechnology industries

Example of Use with Model RK1400

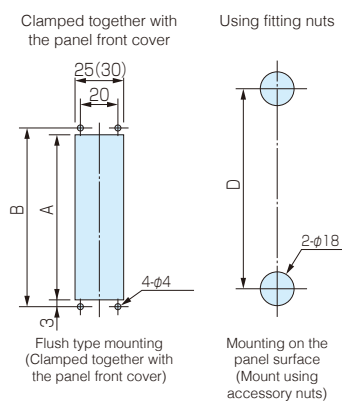


Dimensions

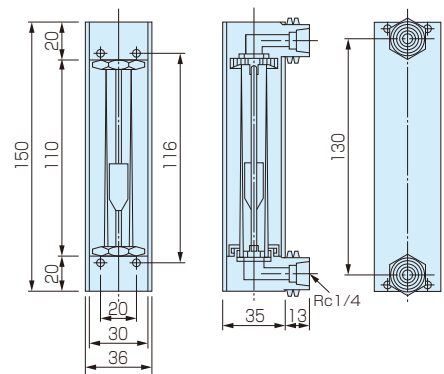
<Dimensions (except the cut dimensions on the right)>



<Cut Dimensions>



<AIR 60-100L/min>

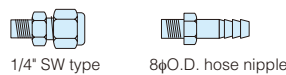


* Dimensions indicated in () apply to measurement of flows of 50 L/min.

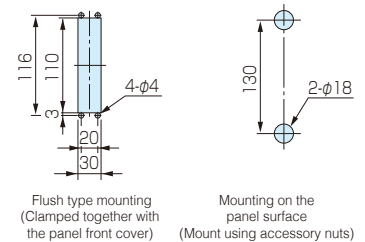
Dimensions of parts per length designation code

Part	Code	12	15	20	25
A	80	110	160	210	
B	86	116	166	216	
C	120	150	200	250	
D	100	130	180	230	
E		29 (36)	29 (36)	31 (36)	31 (36)

Connection opening



<Cut Dimensions>



Standard Specifications

	Gases	Liquids
Fluids	Air, N ₂ , O ₂ , H ₂ , He, Ar, and CO ₂ (Calibration by actual gas) For other gases, consultation is necessary regarding whether conversion conditions or calibration by actual gas is to be used. * Optional: Scale indicating two types of fluids	Standard fluid: Water For other liquids, consultation is necessary regarding whether conversion conditions or calibration by actual liquid is to be used.
Flow range	0.5-5 mL/min to 10-100 L/min (See the Capacity Table below.) Optional: 0.5-3 mL/min	0.5-5 mL/min to 0.3-3 L/min (See the Capacity Table below.) * Optional: 0.5-3 mL/min
Accuracy	FS±2% (Measurement point) * Optional: FS±1% (Measurement point)	FS±2% (Measurement point)
Proof pressure	1.0 MPa(G) for 100 mL/min or less 0.7 MPa(G) for 5 L/min or less 0.5 MPa(G) for 10 L/min or more	1.0 MPa(G) for 5 mL/min or less 0.7 MPa(G) for 150 mL/min or less 0.5 MPa(G) for 200 mL/min or more
Available scale	10:1 * Optional: 20:1	

	SS	BS
Materials		
Body block	SUS316	Brass
Tapered tube	Hard glass	
Packing	FKM	NBR
Float	Hard glass, SUS316	
Protective cover	Acrylic resin	
Temperature resistance	MAX60°C	
Connection end	Rc1/4	

Capacity Table

Air (Flow rate at atmospheric pressure) at 20°C

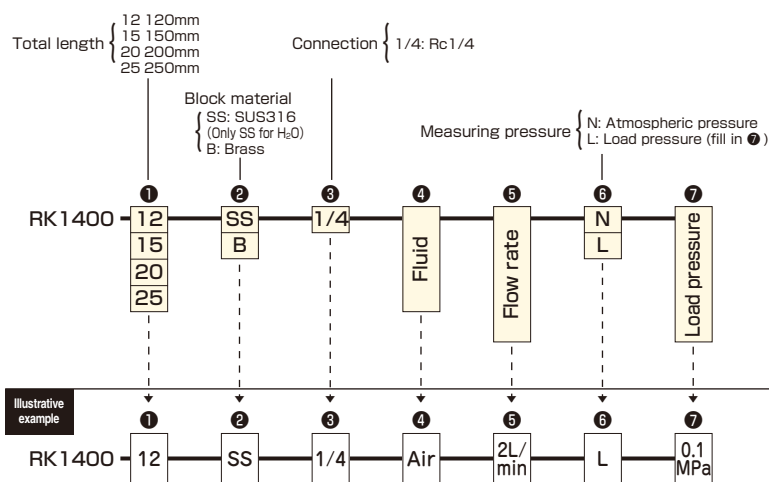
Max. flow rate Total length	* mL/min																				
	5	10	20	30	50	100	150	200	300	500	1	2	3	5	10	15	20	30	50	100	
120mm	○	○	○	○	○	○	○	○	○	○	○	○	○	○	○	○	○	○	○	○	—
150mm	—	○	○	○	○	○	○	○	○	○	○	○	○	○	○	○	○	○	○	○	○
200mm	—	—	—	—	○	○	○	○	○	○	○	○	○	○	○	○	○	○	○	○	—
250mm	—	—	—	—	—	○	○	○	○	○	○	○	○	○	○	○	○	○	○	○	—

H₂O at 20°C

Max. flow rate Total length	mL/min											
	5	10	20	30	50	100	150	200	300	500	1	2
120mm	○	○	○	○	○	○	○	○	○	○	○	—
150mm	○	○	○	○	○	○	○	○	○	○	○	○
200mm	○	○	○	○	○	○	○	○	○	○	○	—
250mm	○	○	○	○	○	○	○	○	○	○	○	—

* Air conversion scale for over 50L/min.

Ordering



Options

- F.S. ±1% (Measurement point)
- 0.5-3mL/min Air (atm)
Note) length 120mm only.
- FFKM O-ring
Note) No filter for under 1L/min full scale.
- Dual scale
- 20:1 scale